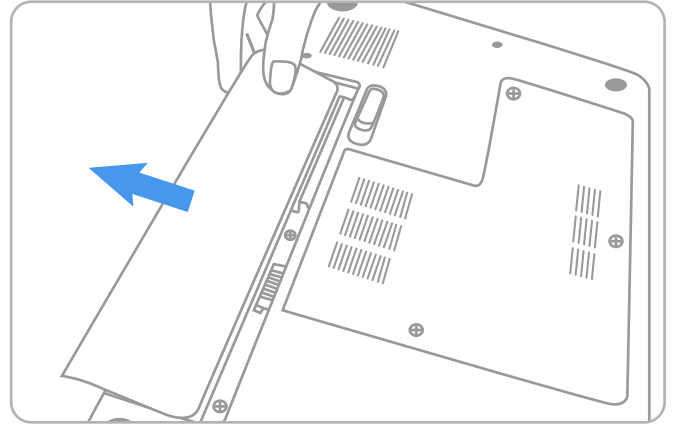
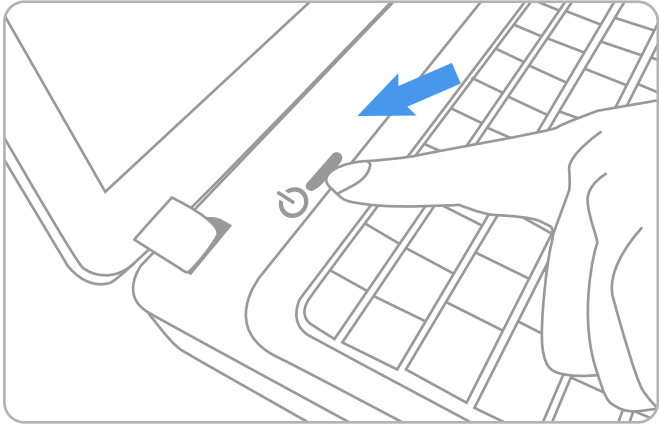
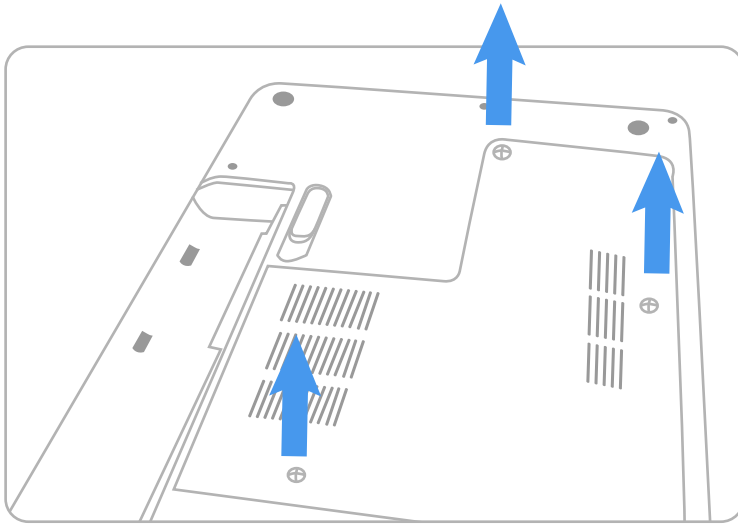


SSD Installation Guide For Notebook

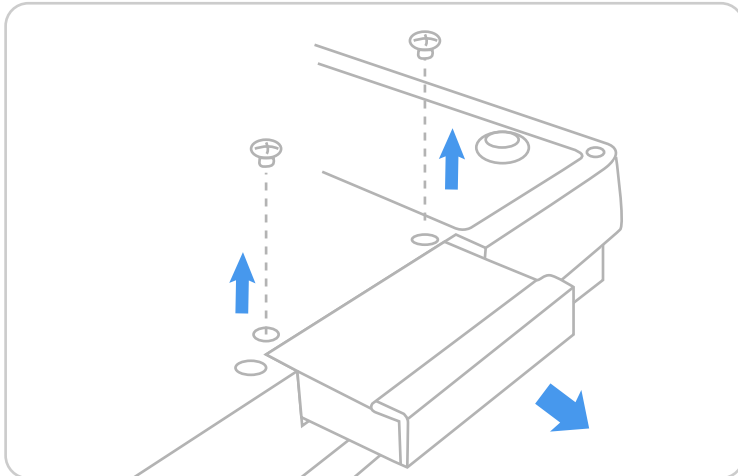
Step 1. Before the installation commences, be sure to shut down your notebook by disconnecting the power cord, or removing the battery from battery powered systems.



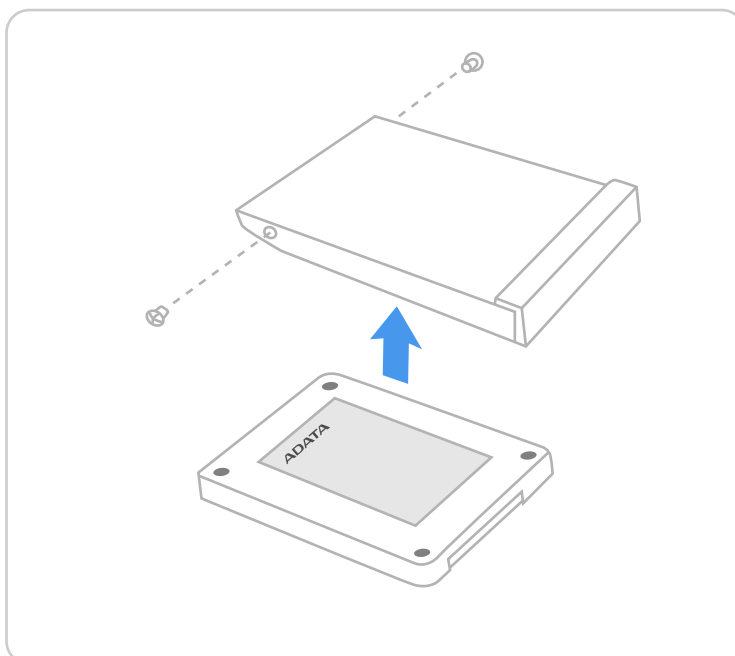
Step 2. Locate the hard drive bay on your notebook and remove screws and slide the drive out of the notebook (Please refer to your notebook system's user manual for information on how to remove the existing hard drive).



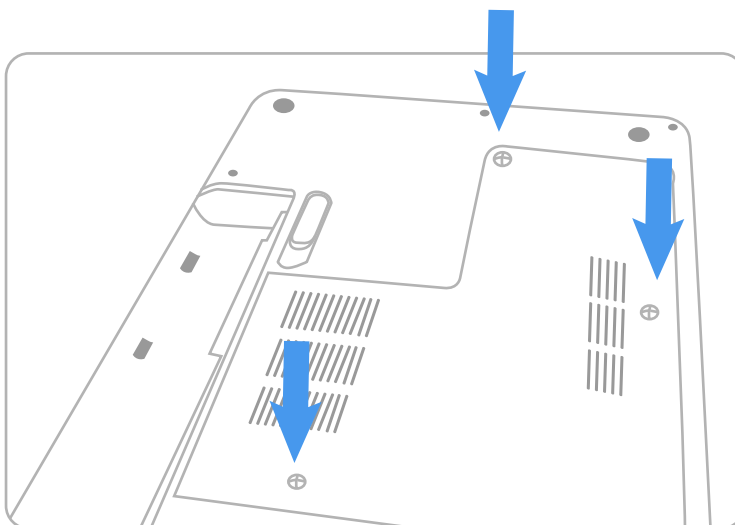
Step 3. Remove bracket from drive and set aside



Step 4. Attach drive bracket to the new Solid-State Drive. Slide the drive into the bay until fully seated (Make sure to align the SATA plugs and solid state drive connectors)



Step 5. Replace screws to secure the drive.



Step 6. Reconnect the power cord or battery. Switch on the computer system for the installation verification.

